



COMBUSTION AND ENVIRONMENTAL SOLUTIONS.  
PURE AND SIMPLE.®

## FLUID BED BOILERS

### PRODUCTS FOR STEAM AND PROCESS

#### Burners

GLSF Free Jet Ultra-Low NO<sub>x</sub> Burners  
GB Low NO<sub>x</sub> Dual Fuel Burner  
Register and Venturi Style Retrofit Burners  
Fluid Bed Start-Up Burners and Gas Lances  
Over Bed / Over Stoker Start Burners and Support Burners  
DB-LN Duct Burners

#### Utility and Industrial Burner Systems

Forced Draft Fans  
Windbox  
Fuel Trains  
Burner Management System (BMS)  
Combustion Control Systems  
Over-Fire Air Systems  
Flue Gas Recirculation (FGR)  
Scanner Systems

#### Pilots / Ignitors

Flexible Ignition / Warm-Up Guns for T-Fired Units  
Class 1 Gas / Oil Pilots and Warm-Up Guns  
Class 2 Gas / Oil Burner Support Pilots  
Class 3 Gas / Oil Pilots with HE capability  
Class 3 Special HE Only (Rigid and Flexible)

#### Optimization Kits

Z-Jet Low NO<sub>x</sub> Kits (Gaseous and Liquid Fuels)  
Ultra-Low Steam Usage Atomizers and Tips

#### Safety / Control Systems

Solid State  
Programmable PLC  
Single Point, Parallel Point  
Fully Metered Cross Limited Control  
O<sub>2</sub> Trim, VFD Fan Draft Control

#### Flexible Fuel Capability

Natural Gas  
No. 6 Fuel Oil  
No. 2 Fuel Oil  
Blended Oils  
Refinery Gases  
Waste Oils  
Opportunity Fuels  
Low Btu Gases  
Blast Furnace Gases  
Coke Oven Gases  
Landfill Gases  
High-Viscosity Fuels

### CONTACT US



#### Zeeco Connecticut

80 Spring Lane  
Plainville, Connecticut 06062 USA  
Phone: +1.860.479.0910  
Email: [zeeco\\_connecticut@zeeco.com](mailto:zeeco_connecticut@zeeco.com)

#### Zeeco Headquarters

22151 East 91st Street  
Broken Arrow, Oklahoma 74014 USA  
Phone: +1.918.258.8551  
Email: [sales@zeeco.com](mailto:sales@zeeco.com)

**ZEECO.COM**

### SERVICES

#### On-Site Technical

Start-Up  
Installation Supervision  
Preventative Maintenance  
Service Contracts  
Operator Training  
Aftermarket Parts

#### Flow Modeling Center

Physical and CFD Modeling  
Combustion Air Systems  
Flue Gas Recirculation Systems  
Over-Fire Air Systems  
Exit Gas / Stack Modeling  
Selective Catalytic Reduction

#### Engineering Studies

Environmental Compliance  
Efficiency Audits  
Fuel Conversions  
Capacity Increase  
Carbon Footprint Reduction

#### Turnkey

Coordinating Supply  
Equipment Modification  
Demolition / Installation  
Start-Up  
Operator Training  
Site Management

# ZEECO® FIRING SYSTEMS - FLUID BED BOILERS

## Comprehensive Engineering Studies

- Capacity Increases
- Fuel Conversions
- Equipment Upgrades

## Burners

- Start-up Burners
- Over Bed Burners
- Duct Burners
- Elbow Duct Burners
- Firing System Optimization
- Bed Lances

## Technical and Installation Services

- Full Turnkey
- Start-Up
- Preventative Maintenance
- Operator Training
- Service and Repair

## Liquid Fuel Atomizers

- Waste Oils
- Blended, Light, Heavy Oils

## Pilots / Ignitors

- NFPA Class 1, 2, 3; Gas and Oil
- HE Direct Spark

## Fuel / Air System Upgrades

- Cost-Effective Conversions

## Primary / Secondary Air Systems Flow Modeling

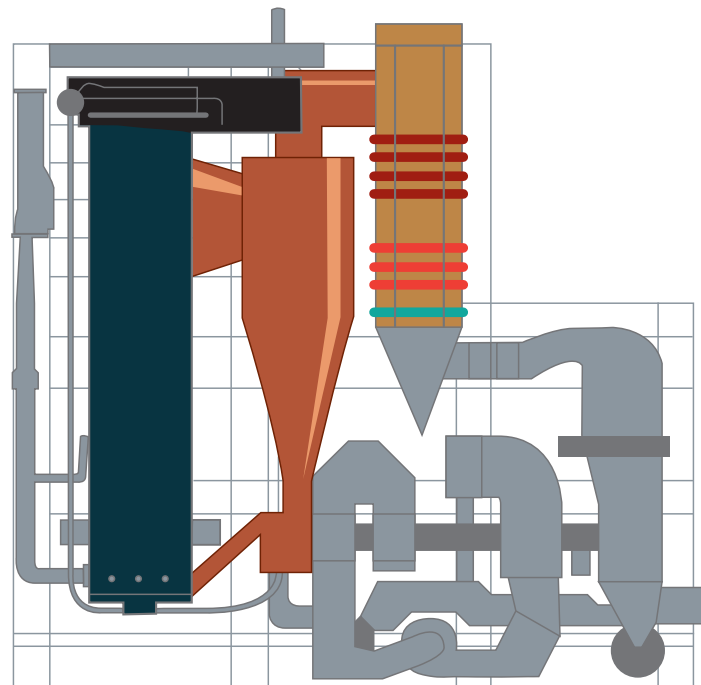
- Increase Efficiency, Turndown
- OFA Optimization
- Combustion Air System
- Optimize Fuel / Air Mixing
- Reduce System Pressure Drop
- Lower O<sub>2</sub>, CO, NO<sub>x</sub>, Carbon Footprint
- Eliminate Vibration

## Flame Scanners

- UV
- Visible Light
- Flexible Fiber-Optic
- IR, IR Flicker Frequency

## Safety / Control

- Combustion Control
- Draft and Feedwater
- Burner Management



ZEECO.COM