

PULSE ADAPTER ENCO PULSE DATASHEET



PURPOSE:

- The pulse adapter is a component of the AMR system. It is used when data of pulse output meters shall be collected by AMR system. Such devices can be meter for hot water, coldwater, gas, electricity, ect.

FUNCTIONS:

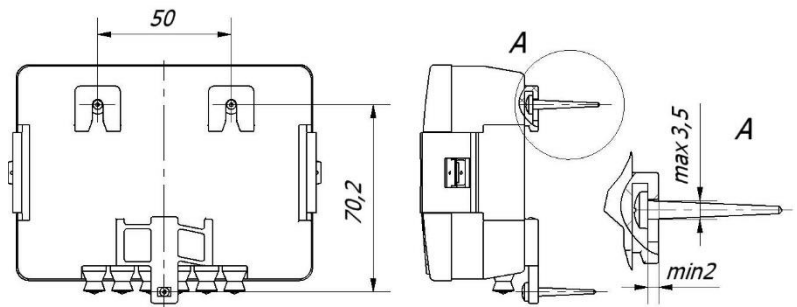
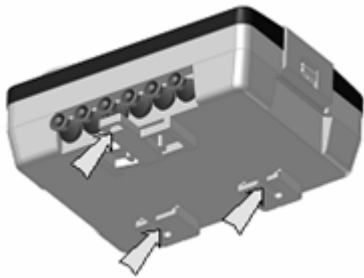
- Acquisition of the pulses delivered by the connected consumption meters.
- Monitoring the connecting cable in the case of metering devices with NAMUR circuit.
- Handling of pulses and storage of consumption data and set day values.
- Transmission of data telegrams to the AMR system.
- Data are transmitted inside M-Bus network (or 3V RxTx network) to the central unit on demand.

TECHNICAL DATA:

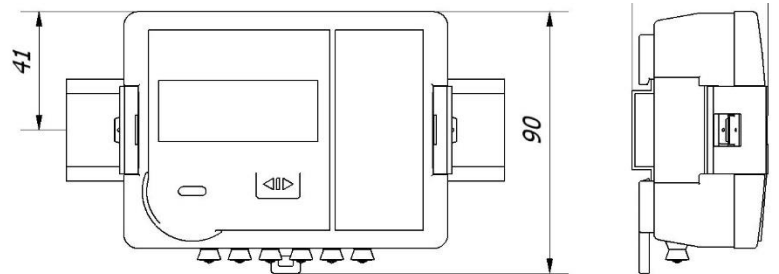
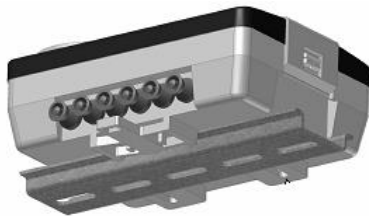
Electronic outputs (Open Collector, Open Drain)	Residual voltage when switched	<0,7 V
	Max frequency	<16 Hz
	Min pulse width	30 ms
Mechanical switches	Bounce time	<1 ms
	Max frequency	<2 Hz
	Min pulse width	260 ms
Mechanical switches with NAMUR circuits	Bounce time	<1 ms
	Max frequency	<2 Hz
	Min pulse width	260 ms
	Resistance R1	2,2 kΩ
	Resistance R2	5,6 kΩ
	Length of connecting cable	Total cables up to 10 m
	Power supply	Li-Ion 3,6V
	Degree of protection	IP65
Ambient temperature	Operation	0...55°C
	Transport and storage	-25...60°C

MOUNTING:

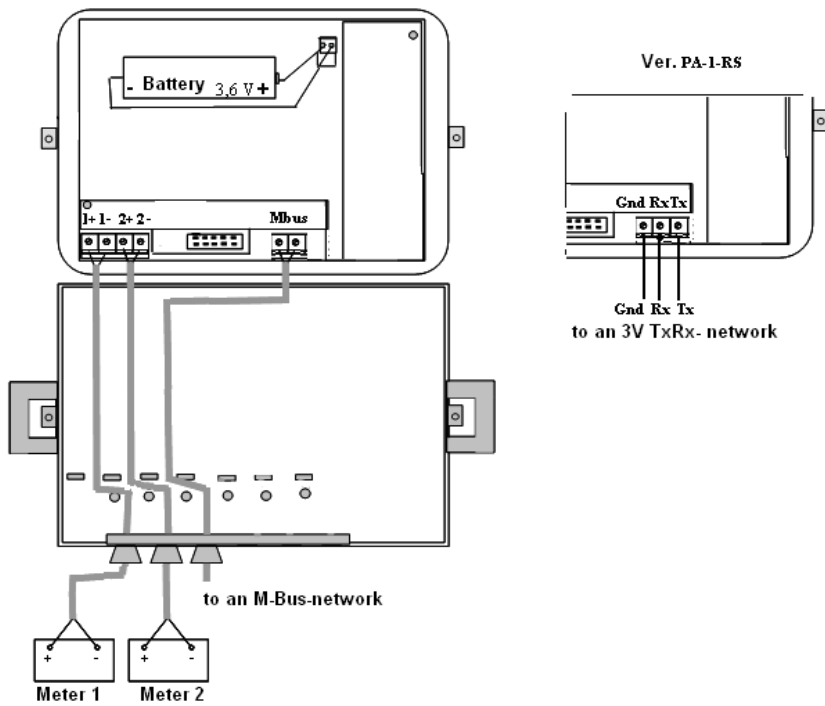
On the wall:



On DIN rail:



CONNECTION DIAGRAM:



DIMENSIONS:

