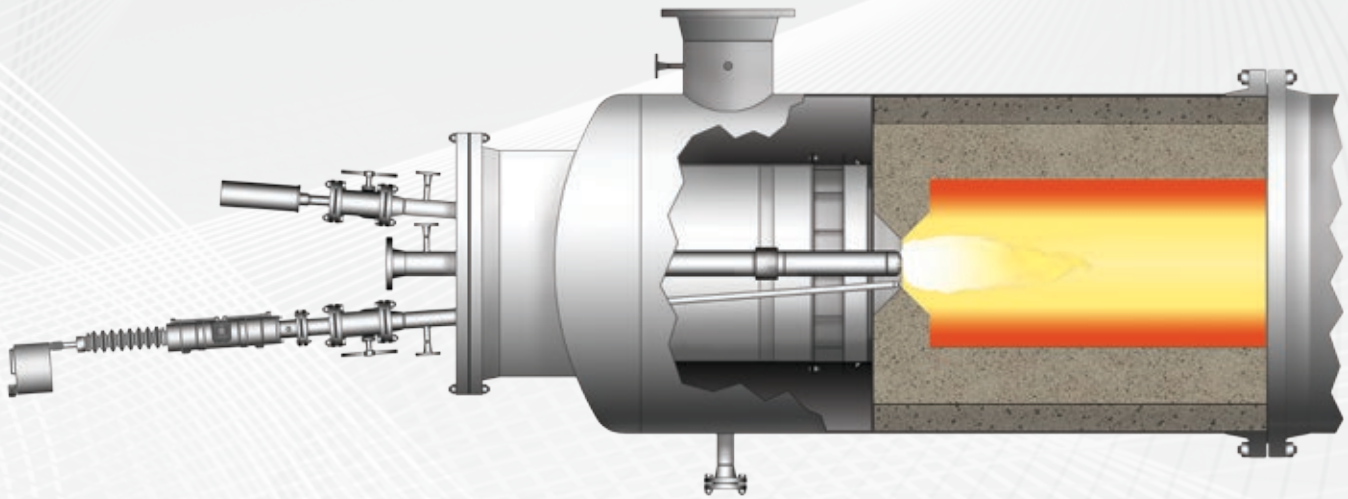




# HIGH-INTENSITY BURNER

## HVW Series



*HVW High-Intensity Burner*

## DESCRIPTION

The ZEECO® HVW High-Intensity burner is designed to burn acid or toxic gases.

## TECHNOLOGY

The ZEECO HVW burner combines superb mixing characteristics with a short flame length. This reliable, proven technology utilizes the energy of a recirculating vortex to achieve rapid combustion in relatively small volumes with varying levels of air. The high flame temperatures achieved by this technology result in superior waste destruction with no soot formation.

## WHY CHOOSE ZEECO?

Zeeco leads today's global market in the design of combustion equipment. Our engineers have the experience, knowledge and tools to properly size and design your incineration system. ZEECO incineration systems have been operating around the globe for more than 35 years. Our philosophy is to provide customers with superior quality, on-time shipments and competitive pricing, which is the cornerstone of our success. Let us put our experience to work for you. Call or email us today to learn more about the full line of ZEECO incineration products and replacement components for your new or existing incineration system.



BURNERS



FLARES



INCINERATORS

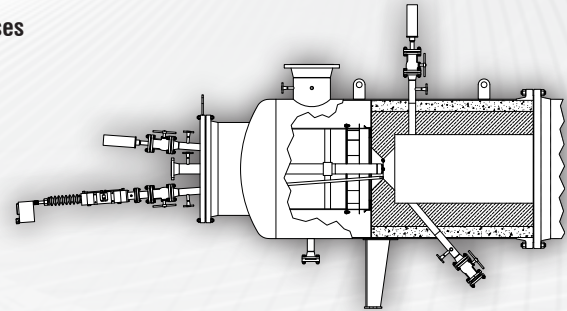


PARTS & SERVICE

# High-Intensity Burner

## DESIGN FEATURES

- Two fuel connections: One for refinery fuel gas and one for the acid or toxic gases
- Stable flame over a wide range of conditions
- Turndown of 3:1 or greater for most cases
- No flashback
- Long service life
- Operations with a wide range of fuels
- 310 Stainless Steel (Type HK) gas tips for refinery fuel gas, acid or toxic gases



HWW High-Intensity Burner Side View

## DESIGN INFORMATION

Burner Model: ..... HWW High-Intensity Gas Burner  
 Fuels: ..... Refinery Fuel Gas (RFG) and Acid or Toxic Gases  
 Description: ..... Acid or Toxic Gas Burner  
 NO<sub>x</sub> Reduction Method: ..... None  
 Combustion Air Induction: ..... Forced Draft  
 Mounting Options: ..... Horizontal, Vertical Up, Vertical Down  
 Heat Release Range: ..... 1 MM to 125 MM Btu/hr [0.073 to 36.625 MW]  
 Turndown: ..... 3:1  
 Typical Excess Air Range: ..... Sub Stoich. to 15%

ZEECO® combustion and environmental solutions are designed and manufactured to comply with applicable local and international standards as defined by our customers.

**NSF**  
 REGISTERED  
 ISO 9001: 2008  
 CERTIFICATION APPLIES TO ZEECO HEADQUARTERS ONLY.  
**Zeeco Corporate Headquarters**  
 22151 East 91st Street  
 Broken Arrow, Oklahoma 74014 USA  
 Phone: +1 918 258 8551  
 Fax: +1 918 251 5519  
 Email: sales@zeeco.com  
**Zeeco.com**



ZEECO® is a registered trademark of Zeeco, Inc. in the U.S.  
 • ZEECO office, affiliate, sales, representative, or third party representative/licensee offices.  
 © COPYRIGHT 2015 - ZEECO, INC. ALL RIGHTS RESERVED